

For reference only. See data sheet for the detailed specifications.

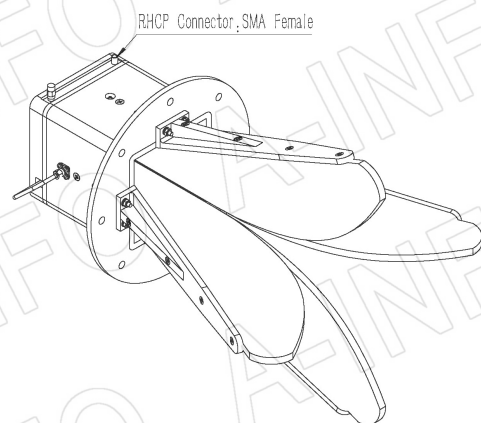
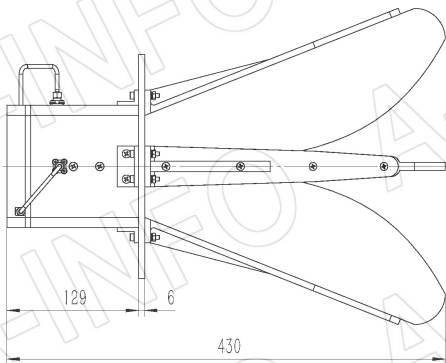
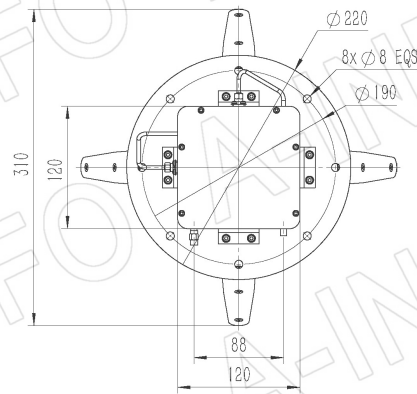
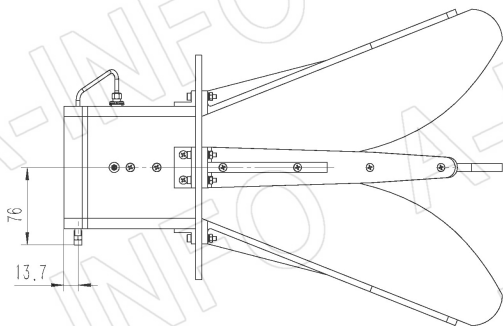
Technical Specification



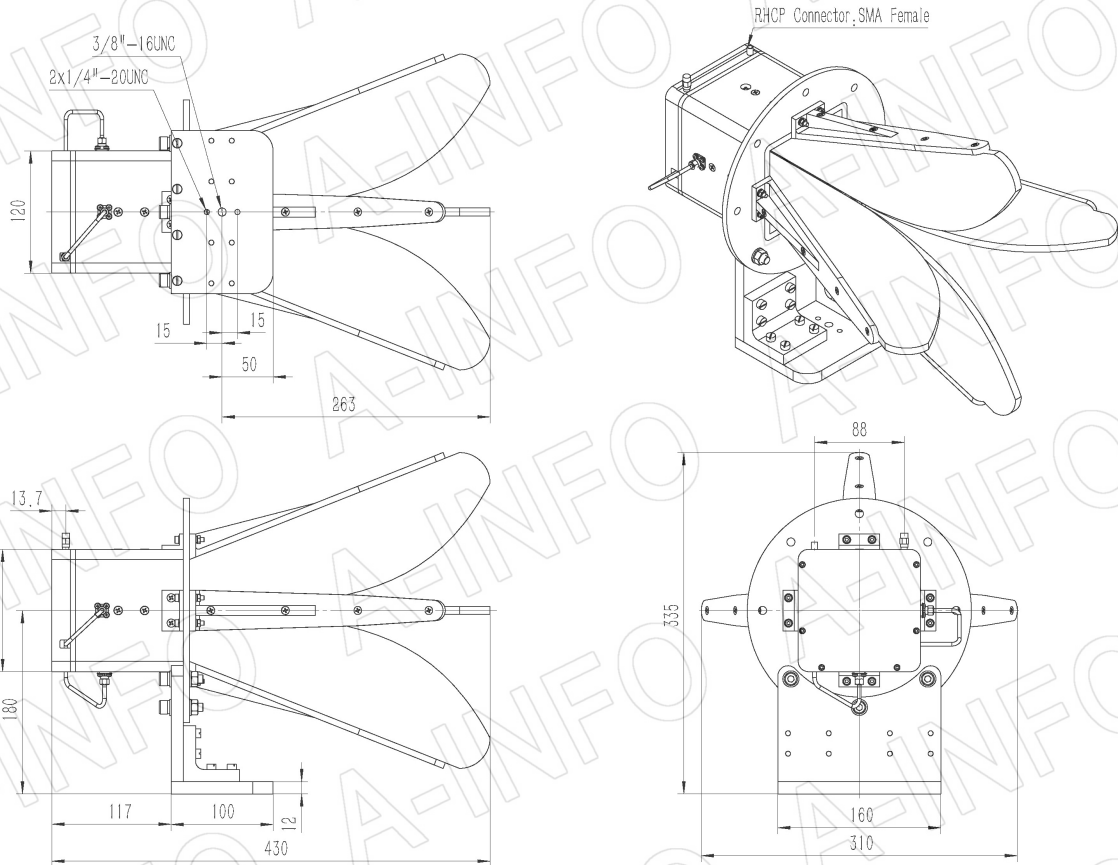
Frequency Range(GHz)	0.7 – 10.0	
Gain(dBic)	10 Typ.	
Polarization	RHCP	
Axial Ratio(dB)	2.0 Typ.	
	5.0 Max.	
3dB Beamwidth(deg)	E Plane:	175 - 13
	H Plane:	139 - 13
VSWR	2.0:1 Max.	
Connector	SMA-Female	
Power Handling(W CW)	50 Max.	
Material	Al	
Finish	Chemical Conversion Coating and Nickel Plated	
Size(mm)	310 x 310 x 430	
Net Weight(Kg)	5.0 Around	

Outline Drawing (Size: mm)

SMA Female Output (P/N: LB-OSJ-07100-P02)

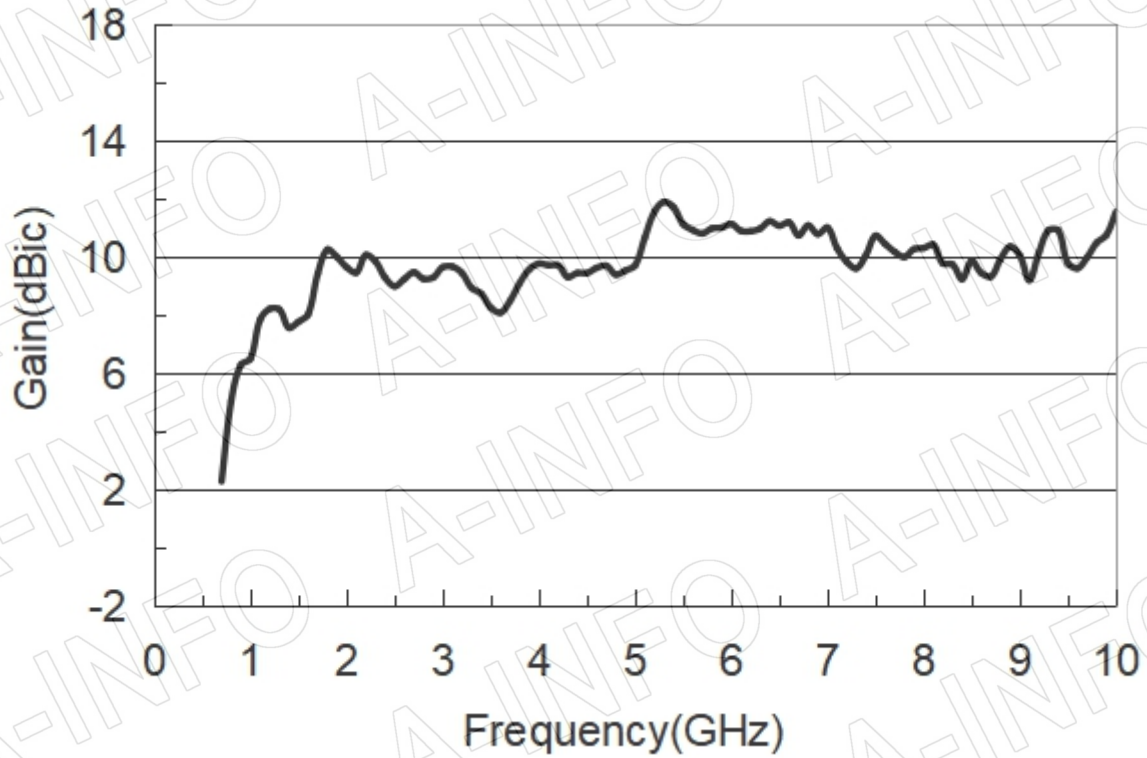


SMA Female Output with L Type Mounting Bracket (Option, P/N: LB-OSJ-0760-L)

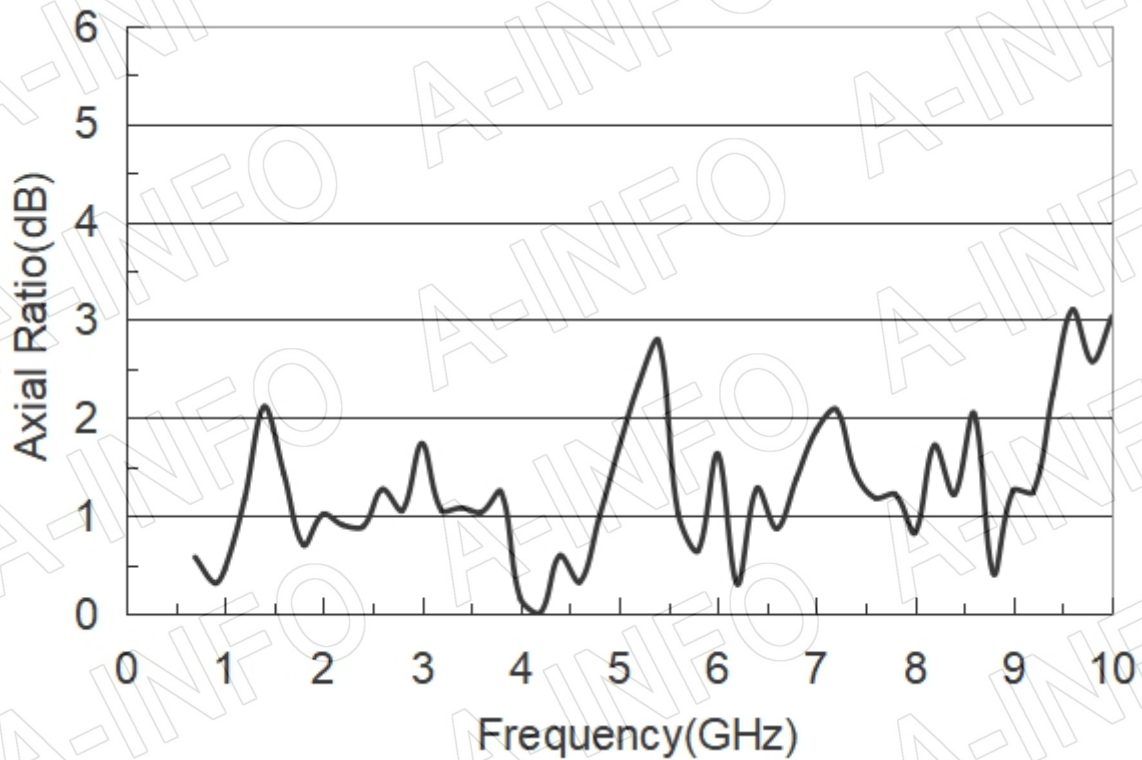


Test Results

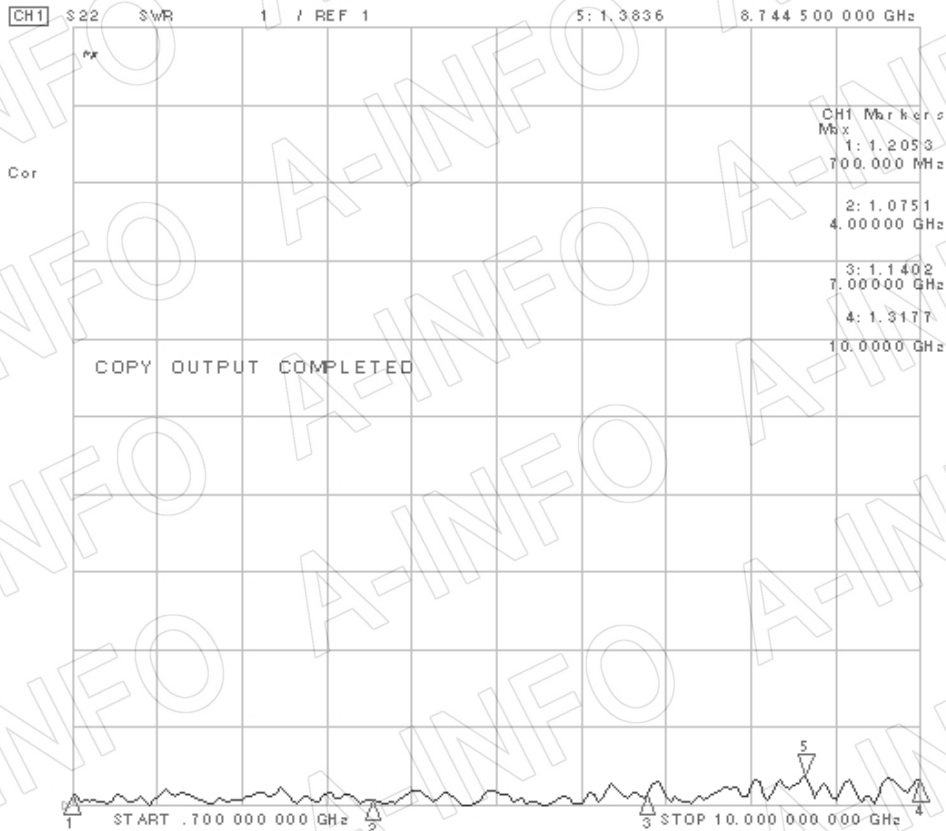
1. Gain



2. Axial Ratio



3. VSWR



4. Pattern

